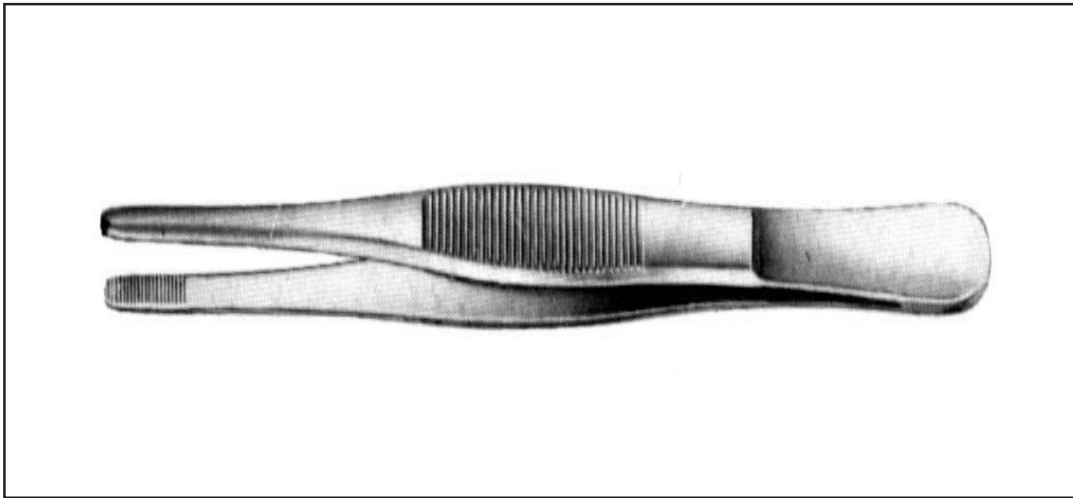


Kolpen



AB

AB



1/1

AB.100.10	10,5 cm - 4 1/4"
AB.100.11	11,5 cm - 4 1/2"
AB.100.13	13,0 cm - 5"
AB.100.14	14,5 cm - 5 1/2"
AB.100.16	16,0 cm - 6 1/4"
AB.100.18	18,0 cm - 7"
AB.100.20	20,0 cm - 8"
AB.100.25	25,0 cm - 10"
AB.100.30	30,0 cm - 12"

AB.100.10/30

Standard
Dressing Forceps



1/1

AB.120.11	11,0 cm - 4 1/2"
AB.120.13	13,0 cm - 5"
AB.120.14	14,5 cm - 5 1/2"
AB.120.16	16,0 cm - 6 1/4"
AB.120.18	18,0 cm - 7"
AB.120.20	20,0 cm - 8"
AB.120.25	25,0 cm - 10"
AB.120.30	30,0 cm - 12"

AB.120.11/30

Standard
Dressing Forceps
Narrow



1/1

AB.124.13	13,0 cm - 5"
AB.124.14	14,5 cm - 5 1/2"
AB.124.16	16,0 cm - 6 1/4"

AB.124.13/16

Dressing Forceps

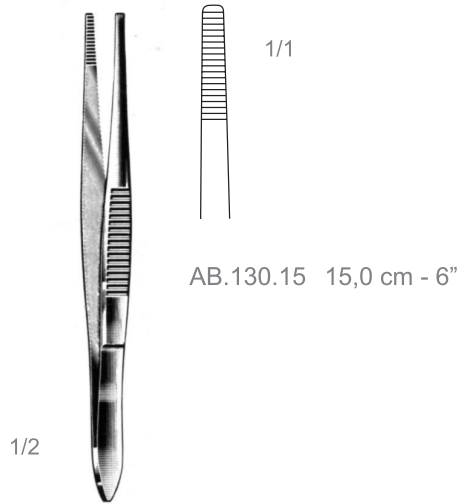


1/1

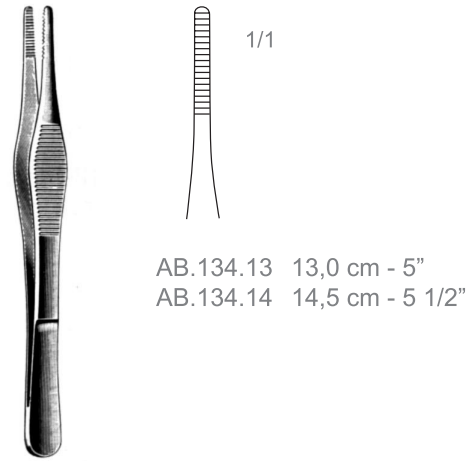
AB.126.13	13,0 cm - 5"
AB.126.14	14,5 cm - 5 1/2"

AB.126.13/14

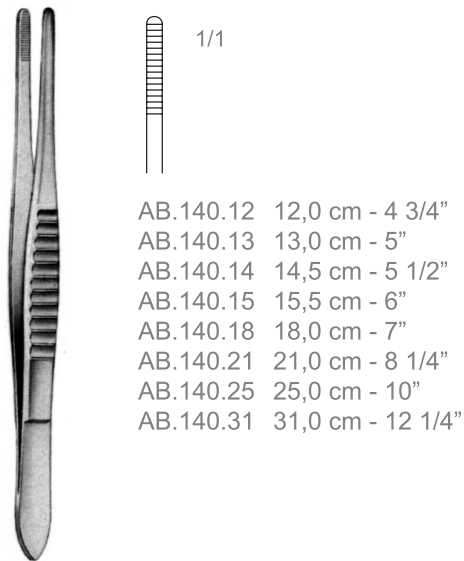
Dressing Forceps



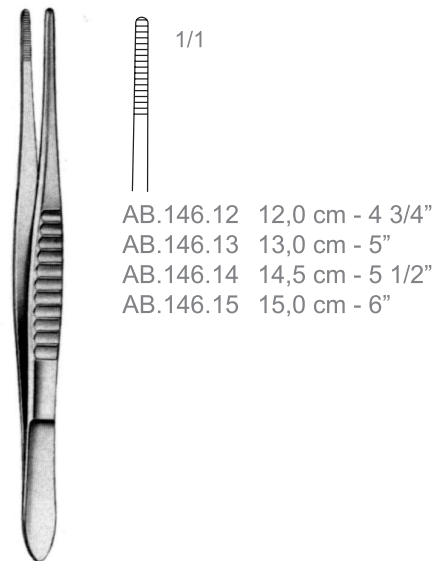
AB.130.15
Stille
Dressing Forceps



AB.134.13/14
Mod. Martin
Dressing Forceps



AB.140.12/31
Standard
Dressing Forceps

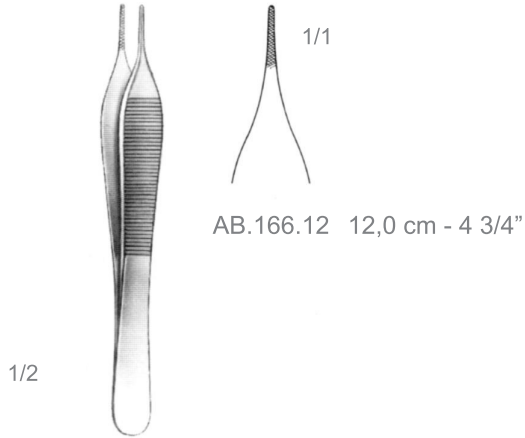


AB.146.12/15
Dressing Forceps
Gracile

- AB.140.12 12,0 cm - 4 3/4"
- AB.140.13 13,0 cm - 5"
- AB.140.14 14,5 cm - 5 1/2"
- AB.140.15 15,5 cm - 6"
- AB.140.18 18,0 cm - 7"
- AB.140.21 21,0 cm - 8 1/4"
- AB.140.25 25,0 cm - 10"
- AB.140.31 31,0 cm - 12 1/4"

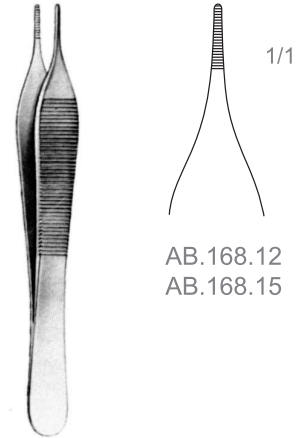
- AB.146.12 12,0 cm - 4 3/4"
- AB.146.13 13,0 cm - 5"
- AB.146.14 14,5 cm - 5 1/2"
- AB.146.15 15,0 cm - 6"

AB



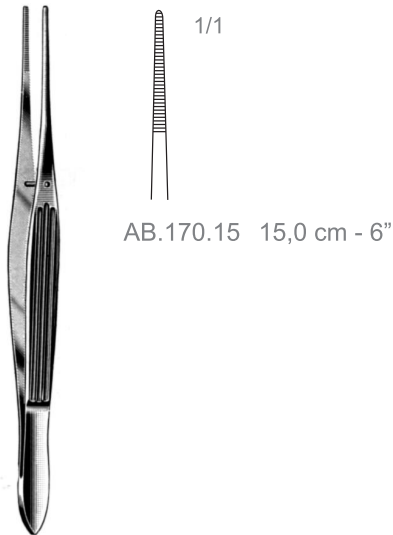
AB.166.12 12,0 cm - 4 3/4"

AB.166.12
Mini-Adson
Dressing Forceps



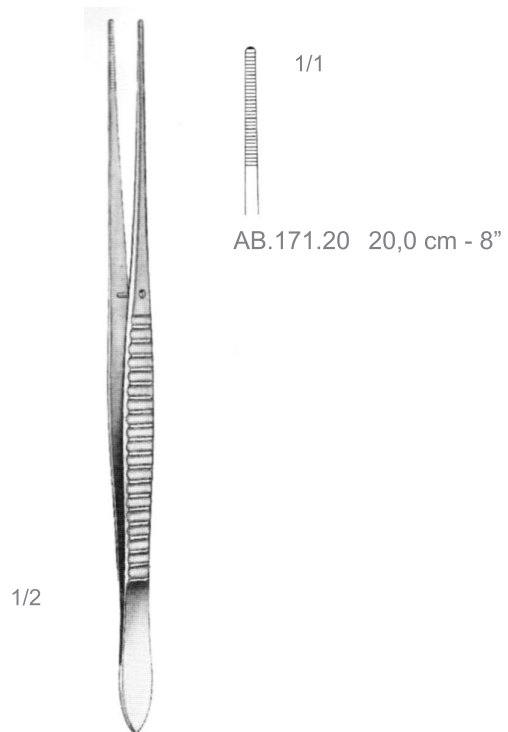
AB.168.12 12,0 cm - 4 3/4"
AB.168.15 15,0 cm - 6"

AB.168.12/15
Adson
Dressing Forceps



AB.170.15 15,0 cm - 6"

AB.170.15
McIndoe
Dressing Forceps



AB.171.20 20,0 cm - 8"

AB.171.20
Waugh
Dressing Forceps

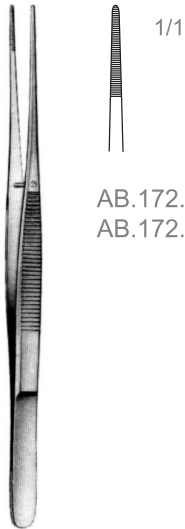
Dressing Forceps

ANATOMISCHE PINZETTEN - PINZAS DE DISECCIÓN

Kolpen

GENERAL INSTRUMENTS
ALLGEMEINES INSTRUMENTARIUM
INSTRUMENTAL GENERAL

AB



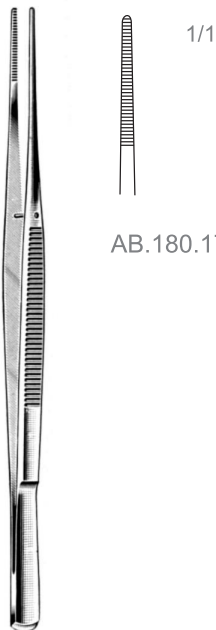
AB.172.12 12,5 cm - 4 3/4"
AB.172.15 15,0 cm - 6"

AB.172.12/15
Semken
Dressing Forceps



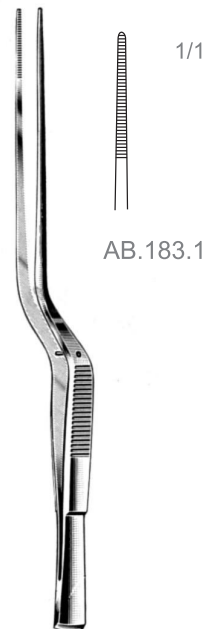
AB.174.17 17,0 cm - 7"

1/2
AB.174.17
Taylor
Dressing Forceps



AB.180.17 17,5 cm - 7"

1/2
AB.180.17
Taylor
Dressing Forceps



AB.183.17 17,5 cm - 7"

1/2
AB.183.17
Taylor
Dressing Forceps

AB



1/1

AB.184.06 15,5 cm - 6" 0,6 mm
AB.184.08 15,5 cm - 6" 0,8 mm
AB.184.10 15,5 cm - 6" 1,0 mm

AB.184.06/10

Dressing Forceps
With dissector



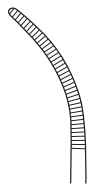
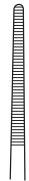
1/1

AB.186.18 18,0 cm - 7"
AB.187.18 18,0 cm - 7"

1/2

AB.186.18
AB.187.18

Gerald
Dressing Forceps



1/1

AB.188.17 17,5 cm - 7"
AB.189.17 17,5 cm - 7"

1/2

AB.188.17
AB.189.17

Cushing
Dressing Forceps



1/1

AB.192.18 18,0 cm - 7"
AB.192.21 21,0 cm - 8 1/4"
AB.192.25 25,0 cm - 10"

1/2

AB.192.18/25

Potts-Smith
Dressing Forceps

Dressing Forceps

ANATOMISCHE PINZETTEN - PINZAS DE DISECCIÓN

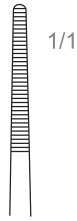
Kolpen

GENERAL INSTRUMENTS
ALLGEMEINES INSTRUMENTARIUM
INSTRUMENTAL GENERAL

AB



1/2



1/1

AB.196.20
20,0 cm - 8"

AB.196.20
Brophy
Dressing Forceps



1/2



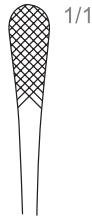
1/1

AB.210.20
20,0 cm - 8"

AB.210.20
Duehrssen
Dressing Forceps



1/2



1/1

AB.220.23
23,0 cm - 9"

AB.220.23
Wangenstein
Dressing Forceps

AB

Kolpen **GOLD**



1/2



1/1

AB.226.17

AB.226.17
Ferris-Smith
Dissecting Forceps
Normal Profile



1/2



1/1

AB.228.17
17,0 cm - 6 3/4"



AB.230.17
17,0 cm - 6 3/4"

AB.228.17
AB.230.17
Bonney
Dissecting Forceps
Normal Profile



1/2



1/1

AB.232.17
17,0 cm - 6 3/4"
Micro Profile



AB.234.17
17,0 cm - 6 3/4"
Mini Profile

AB.232.17
AB.234.17
Gerald
Dissecting Forceps



1/2



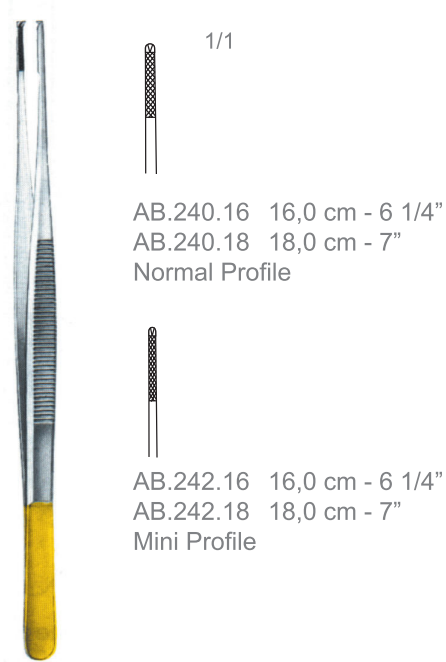
1/1

AB.236.15 15,0 cm - 6"

AB.236.15
Gilles
Dissecting Forceps
Mini Profile



AB.238.15
McIndoe
Dissecting Forceps
Mini Profile



AB.240.16/18
AB.242.16/18
Semken
Dissecting Forceps



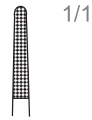
AB.244.12
Adson-Brown
Dissecting Forceps
Normal Profile



AB.246.12/15
Micro-Adson
Dissecting Forceps
Mini Profile

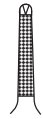
AB

Kolpen **GOLD**



1/1

AB.250.12 12,0 cm - 4 3/4"
AB.250.15 15,0 cm - 6"



AB.252.12 12,0 cm - 4 3/4"
AB.252.15 15,0 cm - 6"

AB.250.12/15
AB.252.12/15

Adson
Dissecting Forceps
Normal Profile



1/1

AB.254.17 17,5 cm - 7"

AB.254.17

Cushing
Dissecting Forceps
Normal Profile
With dissector end

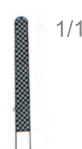


1/1

AB.255.18 18,0 cm - 7"

AB.255.18

Cushing
Dissecting Forceps
Normal Profile
With dissector end



1/1

AB.256.18 18,0 cm - 7"

AB.256.18

Cushing-Taylor
Dissecting Forceps
Normal Profile

Dissecting Forceps

PINZETTEN - PINZAS DE DISECCIÓN

Kolpen

GENERAL INSTRUMENTS
ALLGEMEINES INSTRUMENTARIUM
INSTRUMENTAL GENERAL

AB

Kolpen **GOLD**



- AB.258.15 15,0 cm - 6"
- AB.258.18 18,0 cm - 7"
- AB.258.20 20,0 cm - 8"
- AB.258.23 23,0 cm - 9"
- AB.258.25 25,0 cm - 10"

AB.258.15/25

Potts-Smith
Dissecting Forceps
Normal Profile



- AB.266.15 15,0 cm - 6"
- AB.266.23 23,0 cm - 9"
- AB.266.25 25,0 cm - 10"

AB.266.15/25

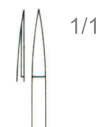
Wangensteen
Dissecting Forceps
Normal Profile



- AB.260.14 14,0 cm - 5 1/2"
- AB.260.16 16,0 cm - 6 1/2"
- AB.260.18 17,0 cm - 7"
- AB.260.20 20,0 cm - 8"
- AB.260.25 25,0 cm - 10"
- AB.260.30 30,0 cm - 12"

AB.260.14/30

Oehler
Dissecting Forceps
Normal Profile



- AB.262.15
15,0 cm - 6"

1/2

AB.262.15

Dissecting Forceps
Smooth

AB

Kolpen **GOLD**



AB.270.15/24
AB.272.15/24

De Bakey
Dissecting Forceps



1/1

AB.270.15 15,0 cm - 6"
AB.270.19 19,0 cm - 7 1/2"
AB.270.24 24,0 cm - 9 1/2"
Micro Profile



AB.272.15 15,0 cm - 6"
AB.272.19 19,0 cm - 7 1/2"
AB.272.24 24,0 cm - 9 1/2"
Mini Profile



AB.276.18

Jaboma
Dissecting Forceps



1/1

AB.276.18 18,0 cm - 7"

1/2



AB.278.18

Jaboma
Dissecting Forceps



1/1

AB.278.18 18,0 cm - 7"



1:2

1/2



AB.279.18

Jaboma
Dissecting Forceps



1/1

AB.279.18 18,0 cm - 7"



1:2

1/2

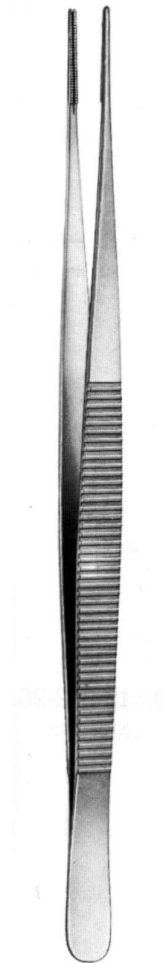
Titanium Atrauma Tissue Forceps

TITAN-ATRAUMA-PINZETTEN - PINZAS ATRAUMA DE TITANIO

Kolpen

GENERAL INSTRUMENTS
ALLGEMEINES INSTRUMENTARIUM
INSTRUMENTAL GENERAL

AB

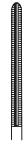


AB.282.16/24
AB.284.16/24

De Bakey
Titanium Atrauma
Tissue Forceps

1,5 mm

1/1



AB.282.16 16,0 cm - 6 1/4"
AB.282.20 20,0 cm - 8"
AB.282.24 24,0 cm - 9 1/2"

1,8mm

1/1

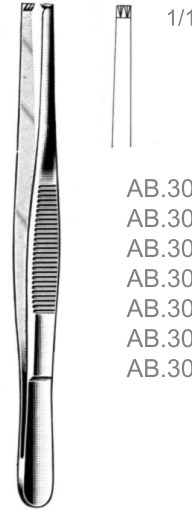


AB.284.16 16,0 cm - 6 1/4"
AB.284.20 20,0 cm - 8"
AB.284.24 24,0 cm - 9 1/2"



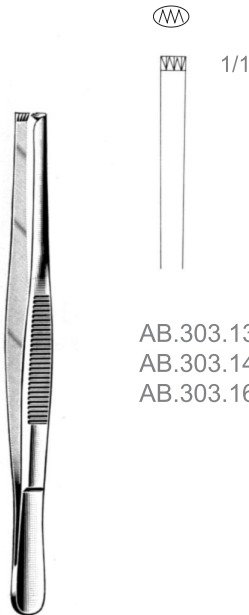
- 1/1
- AB.301.10 10,5 cm - 4 1/4"
 - AB.301.11 11,5 cm - 4 1/2"
 - AB.301.13 13,0 cm - 5"
 - AB.301.14 14,5 cm - 5 1/2"
 - AB.301.16 16,0 cm - 6 1/4"
 - AB.301.18 18,0 cm - 7"
 - AB.301.20 20,0 cm - 8"
 - AB.301.25 25,0 cm - 10"
 - AB.301.30 30,0 cm - 12"

AB.301.10/30
Tissue Forceps
1:2 Teeth



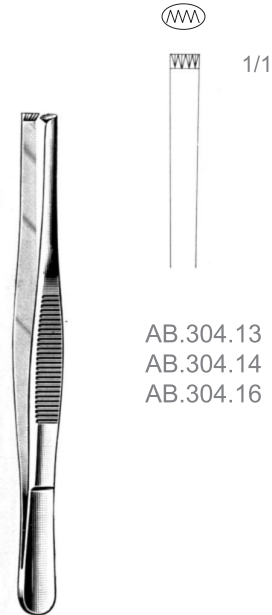
- 1/1
- AB.302.11 11,5 cm - 4 1/4"
 - AB.302.13 13,0 cm - 4 1/2"
 - AB.302.14 14,5 cm - 5 1/2"
 - AB.302.16 16,0 cm - 6 1/4"
 - AB.302.18 18,0 cm - 7"
 - AB.302.20 20,0 cm - 8"
 - AB.302.25 25,0 cm - 12"

AB.302.11/25
Tissue Forceps
2:3 Teeth



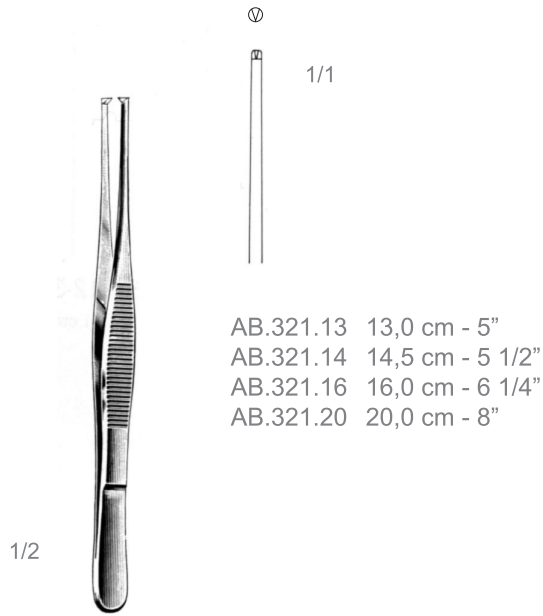
- 1/1
- AB.303.13 13,0 cm - 5"
 - AB.303.14 14,5 cm - 5 1/2"
 - AB.303.16 16,0 cm - 6 1/4"

AB.303.13/16
Tissue Forceps
3:4 Teeth



- 1/1
- AB.304.13 13,0 cm - 5"
 - AB.304.14 14,5 cm - 5 1/2"
 - AB.304.16 16,0 cm - 6 1/4"

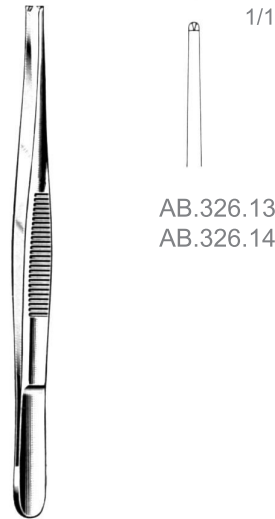
AB.304.13/16
Tissue Forceps
4:5 Teeth



AB.321.13 13,0 cm - 5"
AB.321.14 14,5 cm - 5 1/2"
AB.321.16 16,0 cm - 6 1/4"
AB.321.20 20,0 cm - 8"

AB.321.13/16

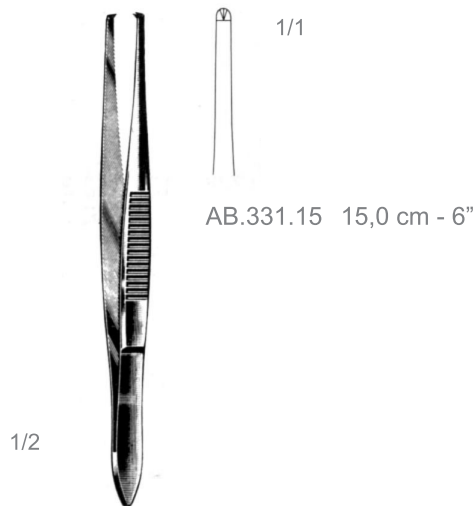
Tissue Forceps
1:2 Teeth



AB.326.13 13,0 cm - 5"
AB.326.14 14,5 cm - 5 1/2"

AB.326.13/14

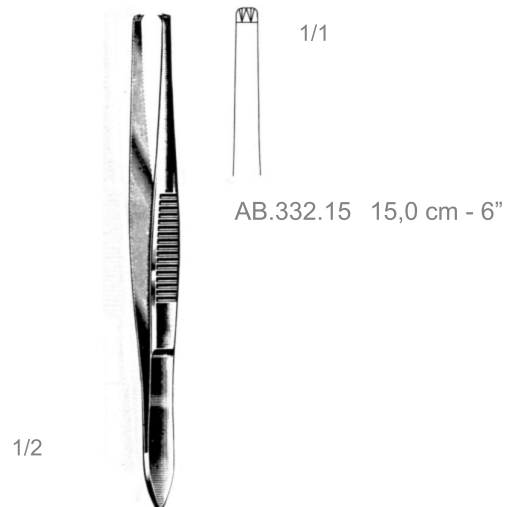
Tissue Forceps
1:2 Teeth



AB.331.15 15,0 cm - 6"

AB.331.15

Stille
Tissue Forceps
1:2 Teeth

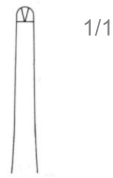


AB.332.15 15,0 cm - 6"

AB.332.15

Stille
Tissue Forceps
2:3 Teeth

AB



1/1

AB.334.13 13,0 cm - 5"
AB.334.14 14,5 cm - 5 1/2"

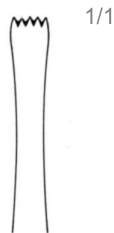
AB.334.13/14
Mod. Martin
Tissue Forceps
1:2 Teeth



1/1

AB.341.12 12,0 cm - 4 3/4"
AB.341.13 13,0 cm - 5"
AB.341.14 14,5 cm - 5 1/2"
AB.341.15 15,5 cm - 6"
AB.341.18 18,5 cm - 7 1/4"
AB.341.21 21,0 cm - 8 1/4"
AB.341.25 25,0 cm - 10"
AB.341.31 31,0 cm - 12 1/4"

AB.341.12/31
Mod. USA
Tissue Forceps
1:2 Teeth

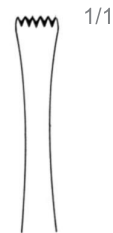


1/1

AB.364.15 15,0 cm - 6"

1/2

AB.364.15
Stone
Tissue Forceps
4:5 Teeth

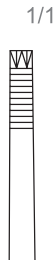


1/1

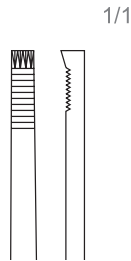
AB.365.15 15,0 cm - 6"

1/2

AB.365.15
Lerche
Tissue Forceps
5:6 Teeth



AB.366.15 15,0 cm - 6"
AB.366.20 20,0 cm - 8"
2:3 Teeth



AB.367.15 15,0 cm - 6"
AB.367.20 20,0 cm - 8"
AB.367.25 25,0 cm - 10"
4:5 Teeth

AB.366.15/20
AB.367.15/25
Adlerkreuz
Tissue Forceps



AB.370.15
15,0 cm - 6"

AB.370.15
Gillies
Tissue Forceps
1:2 Teeth



AB.368.12 12,0 cm - 4 3/4"
AB.368.15 15,0 cm - 6"

1/2

AB.368.12/15
Adson
Tissue Forceps
1:2 Teeth



AB.372.12 12,5 cm - 5"
AB.372.15 15,0 cm - 6"

AB.372.12/15
Semken
Tissue Forceps
1:2 Teeth

AB



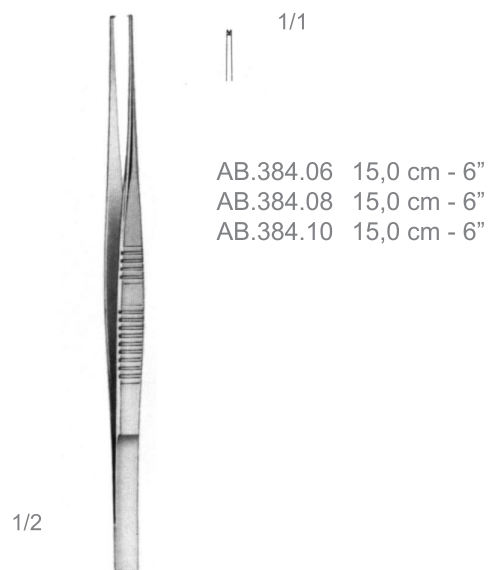
AB.374.17
Taylor
Tissue Forceps
1:2 Teeth



AB.380.17
Taylor
Tissue Forceps
1:2 Teeth



AB.383.17
Taylor
Tissue Forceps
1:2 Teeth



AB.384.06/10
Tissue Forceps

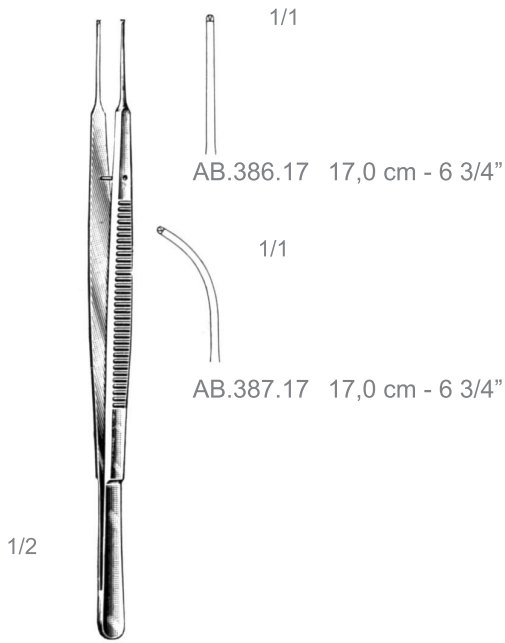
Tissue Forceps

CHIRURGISCHE PINZETTEN - PINZAS DE DISECCIÓN CON DIENTES

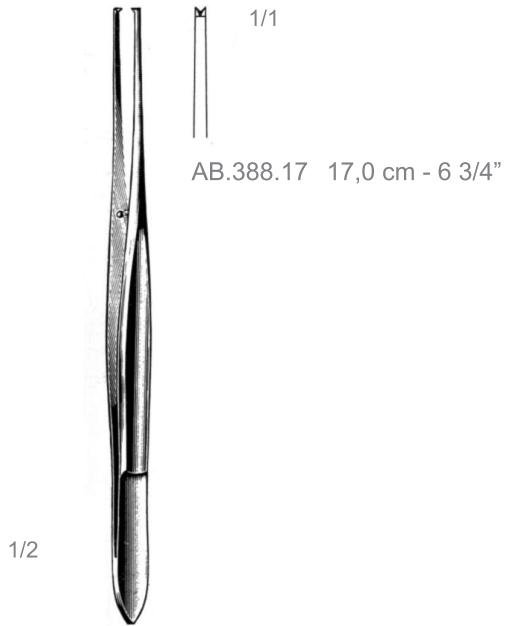
Kolpen

GENERAL INSTRUMENTS
ALLGEMEINES INSTRUMENTARIUM
INSTRUMENTAL GENERAL

AB



AB.386.17
AB.387.17
Gerald
Tissue Forceps



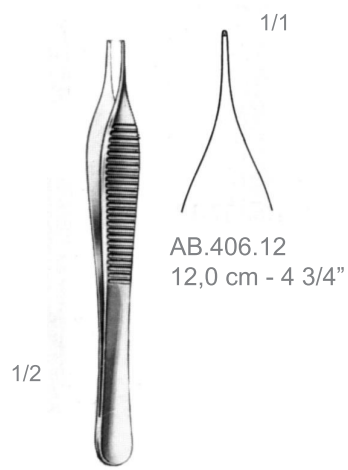
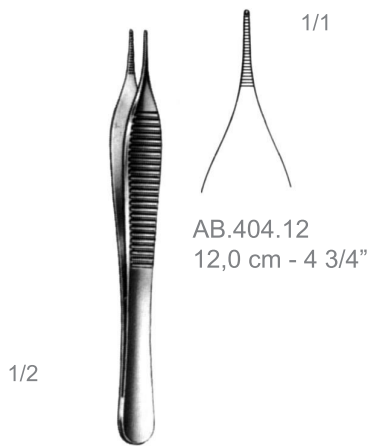
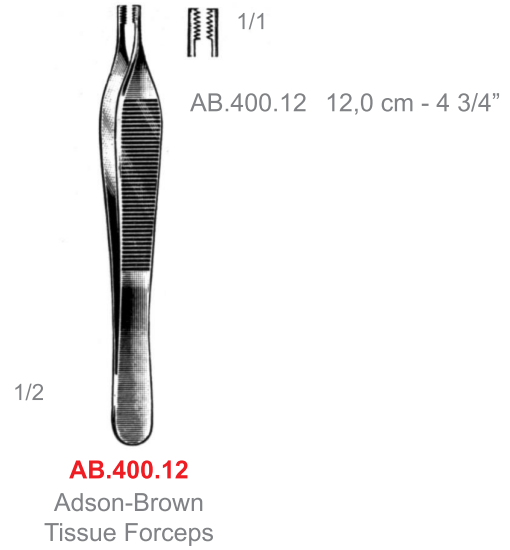
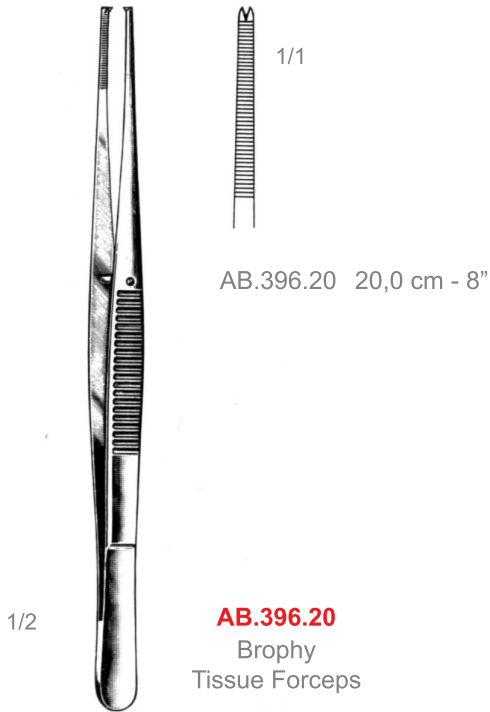
AB.388.17
Cushing
Tissue Forceps

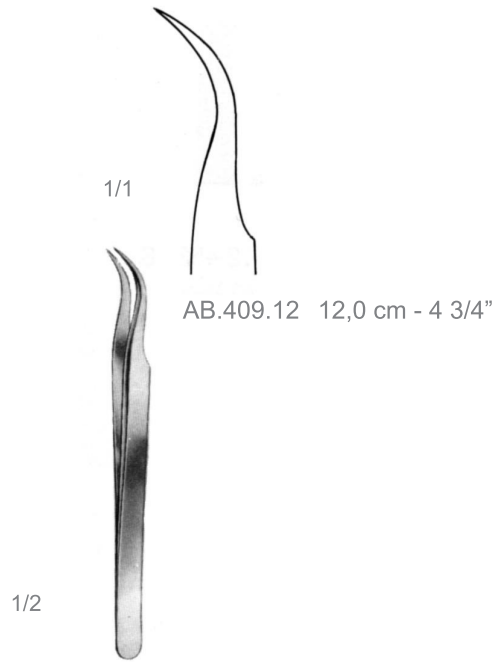


1/1
AB.392.18 18,0 cm - 7"
AB.392.21 21,0 cm - 8 1/4"
AB.392.25 25,0 cm - 10"

AB.392.18/25
Potts-Smith
Tissue Forceps

AB

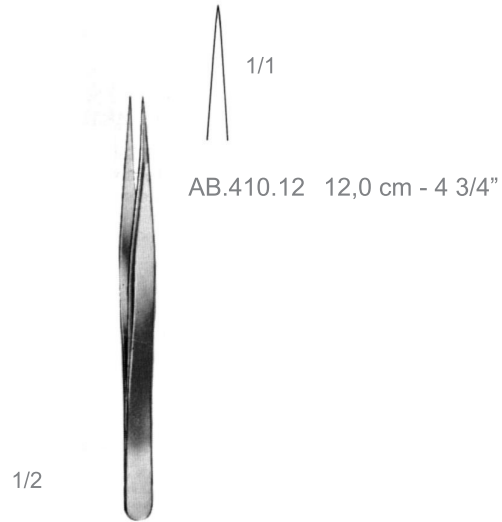




AB.409.12 12,0 cm - 4 3/4"

AB.409.12

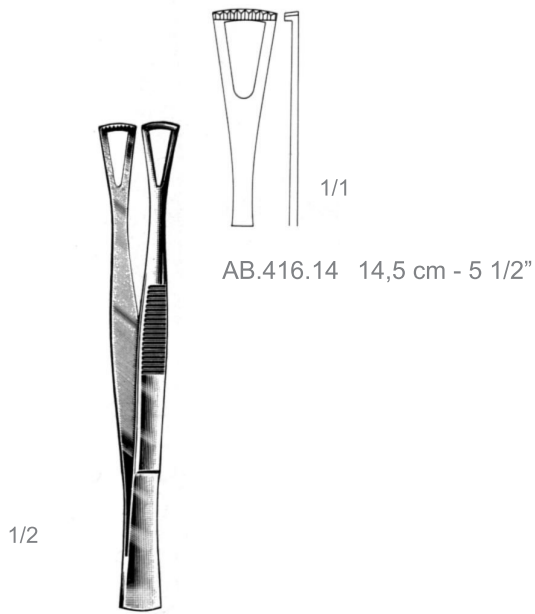
Tissue Forceps



AB.410.12 12,0 cm - 4 3/4"

AB.410.12

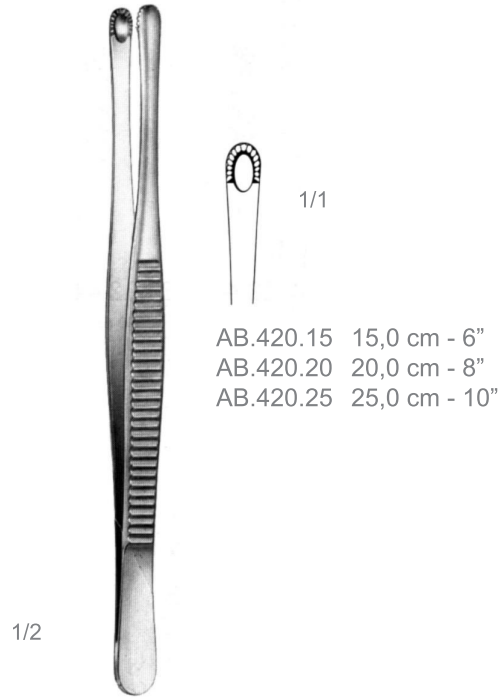
Tissue Forceps



AB.416.14 14,5 cm - 5 1/2"

AB.416.14

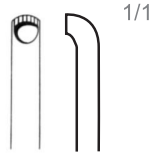
Duval
Tissue Forceps



AB.420.15 15,0 cm - 6"
AB.420.20 20,0 cm - 8"
AB.420.25 25,0 cm - 10"

AB.420.15/25

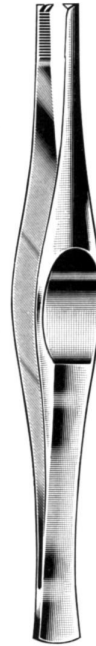
Russ. Modell
Tissue Forceps



1/1

AB.426.14 14,5 cm - 5 1/2"
 AB.426.16 16,0 cm - 6 1/4"
 AB.426.20 20,0 cm - 8"

AB.426.14/20
 Durante
 Tissue Forceps



1/1



AB.431.18
 18,0 cm - 7"
 1:2 Teeth

AB.432.18
 18,0 cm - 7"
 2:3 Teeth

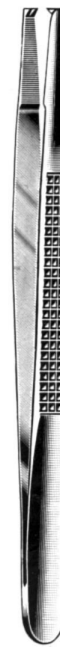
AB.431.18
AA.432.18
 Ferris-Smith
 Tissue Forceps



1/1

AB.444.18 18,0 cm - 7"
 AB.444.20 20,0 cm - 8"
 AB.444.25 25,0 cm - 10"

AB.444.18/25
 Stille-Barraya
 Tissue Forceps
 3:4 Teeth



1/1

AB.451.18
 18,0 cm - 7"
 1:2 Teeth

AB.452.18
 18,0 cm - 7"
 2:3 Teeth

AB.451.18
AA.452.18
 Bonney
 Tissue Forceps
 3:4 Teeth

Grasping Forceps

FABPINZETTEN - PINZAS PARA COGER

Kolpen

GENERAL INSTRUMENTS
ALLGEMEINES INSTRUMENTARIUM
INSTRUMENTAL GENERAL

AB



1/1

AB.456.23
23,0 cm - 9"

1/2

AB.456.23
Mayo-Russ.
Grasping Forceps



1/1

AB.460.23
23,0 cm - 9"

1/2

AB.460.23
Singley-Tuttle
Grasping Forceps



1/1

AB.466.23
23,0 cm - 9"

1/2

AB.466.23
Nelson
Grasping Forceps

Kolpen

Grasping Forceps

GENERAL INSTRUMENTS
ALLGEMEINES INSTRUMENTARIUM
INSTRUMENTAL GENERAL

FABPINZETTEN - PINZAS PARA COGER

AB



AB.468.18 18,0 cm - 7 1/4"

AB.468.18
Hepp/Scheidel
Grasping Forceps
Tubal Seizing Forceps



AB.470.20 20,0 cm - 8"

AB.470.20
Collin-Duval
Grasping Forceps



AB.476.21 21,0 cm - 8 1/2"

AB.476.21
Grasping Forceps
Catheter seizing forceps

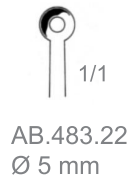
Tumor Forceps

TUMORPINZETTEN - PINZAS PARA TUMORES

Kolpen

GENERAL INSTRUMENTS
ALLGEMEINES INSTRUMENTARIUM
INSTRUMENTAL GENERAL

AB



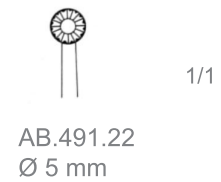
1/2

AB.481.22
AA.483.22
Yasargil
Tumor Forceps



1/2

AB.485.22
AA.487.22
Yasargil
Tumor Forceps

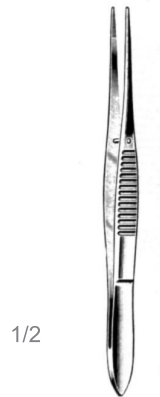


1/1

1/2

AB.489.22
AA.491.22
Heifetz
Tumor Forceps

AB



1/2

AB.502.10
AB.503.10
AB.505.10
AB.512.10
AB.513.10
AB.515.10

Forceps, fine patterns



AB.502.10
10,5 cm - 4 1/4"



AB.503.10
10,5 cm - 4 1/4"



AB.505.10
10,5 cm - 4 1/4"



AB.512.10
10,5 cm - 4 1/4"



AB.513.10
10,5 cm - 4 1/4"



AB.515.10
10,5 cm - 4 1/4"

Titanium Tissue Forceps

TITAN PINZETTEN - TITAN PINZAS DE DISECCIÓN

Kolpen

GENERAL INSTRUMENTS
ALLGEMEINES INSTRUMENTARIUM
INSTRUMENTAL GENERAL

AB



1/1

AB.520.01
AB.521.01
AB.524.01
AB.525.01
AB.526.01/02

Owen ERGOBIONIC®
Titanium Tissue Forceps



AB.520.01 18,0 cm - 7" 1,2 mm
Atrauma-Fino



AB.521.01 18,0 cm - 7" 1,2 mm
Atrauma-Fino



AB.524.01 18,0 cm - 7" 1,7 mm
Atrauma-Standard



1/1

AB.525.01 18,0 cm - 7" 1,7 mm
Atrauma-Standard



AB.526.01 18,0 cm - 7" 1 mm



AB.526.02 18,0 cm - 7" 1 mm

AB



1/1

AB.530.01
AB.531.01
AB.532.01
AB.533.01

Owen ERGOBIONIC®
Titanium Tying Forceps



AB.530.01 0,5 mm x 8 mm



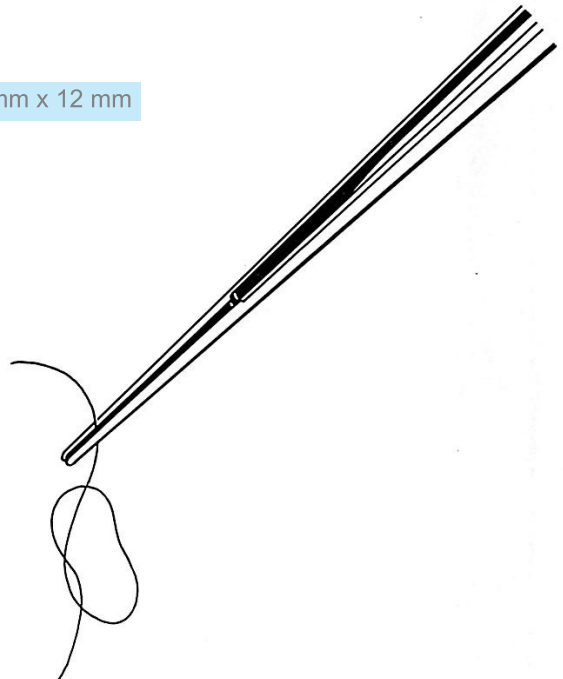
AB.531.01 0,5 mm x 8 mm



AB.532.01 0,8 mm x 12 mm



AB.533.01 0,8 mm x 12 mm





1/1

AB.536.01/05
AB.537.01/05

Vickers
Titanium Tissue Forceps



AB.536.01	0,8 mm x 0,6 mm	Micro
AB.536.02	1,8 mm x 1,0 mm	Mini
AB.536.03	2,5 mm x 1,5 mm	Maxi



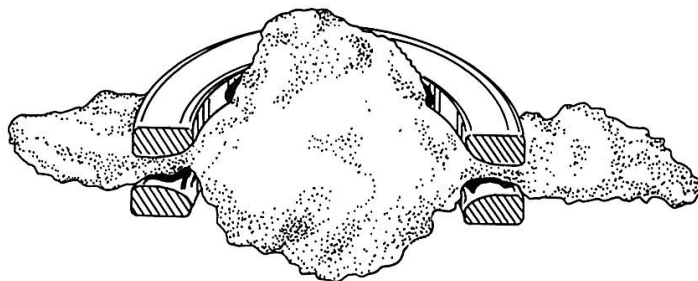
AB.537.01	0,8 mm x 0,6 mm	Micro
AB.537.02	1,8 mm x 1,0 mm	Mini
AB.536.03	2,5 mm x 1,5 mm	Maxi



AB.536.04	1,8 mm x 1,0 mm	Mini
AB.536.05	2,5 mm x 1,5 mm	Maxi



AB.537.04	1,8 mm x 1,0 mm	Mini
AB.537.05	2,5 mm x 1,5 mm	Maxi



Kolpen

Titanium Tissue Forceps

GENERAL INSTRUMENTS
ALLGEMEINES INSTRUMENTARIUM
INSTRUMENTAL GENERAL

TITAN-PINZETTEN - TITAN PINZAS DE DISECCIÓN

AB



AB.540.00 18,0 cm. - 7"

1/1

AB.540.00

Adson-Brown
Modif. Owen
Owen ERGOBIONIC®
Titanium Tissue Forceps



AB.541.00 18,0 cm. - 7"

1/1

AB.541.00

Owen
Owen ERGOBIONIC®
Titanium Tissue Forceps

Micro Ring Forceps, Atraumatic Micro Forceps

MIKRO-RINGPINZETTEN, ATRAUMA-MIKROPINZETTEN
 MICRO PINZAS DE DISECCIÓN CON OJAL, MICRO PINZAS ATRAUMÁTICAS

Kolpen

GENERAL INSTRUMENTS
 ALLGEMEINES INSTRUMENTARIUM
 INSTRUMENTAL GENERAL

AB



1/2



AB.574.15/23

Micro Ring Forceps
 Atraumatic Micro Forceps

AB.574.15	15,0 cm - 6"	1,0 x 0,5 mm
AB.574.18	18,0 cm - 7"	1,0 x 0,5 mm
AB.574.21	21,0 cm - 8 1/4"	1,0 x 0,5 mm
AB.574.23	23,0 cm - 9"	1,0 x 0,5 mm

Steel



AB.586.15/21

Micro Ring Forceps
 Atraumatic Micro Forceps

AB.586.15	15,0 cm - 6"	1,0 x 0,5 mm
AB.586.18	18,0 cm - 7"	1,0 x 0,5 mm
AB.586.21	21,0 cm - 8 1/4"	1,0 x 0,5 mm

Titanium



AB.576.15/23

Micro Ring Forceps
 Atraumatic Micro Forceps

AB.576.15	15,0 cm - 6"	1,0 x 0,5 mm
AB.576.18	18,0 cm - 7"	1,0 x 0,5 mm
AB.576.21	21,0 cm - 8 1/4"	1,0 x 0,5 mm
AB.576.23	23,0 cm - 9"	1,0 x 0,5 mm

Steel



AB.588.15/21

Micro Ring Forceps
 Atraumatic Micro Forceps

AB.588.15	15,0 cm - 6"	1,0 x 0,5 mm
AB.588.18	18,0 cm - 7"	1,0 x 0,5 mm
AB.588.21	21,0 cm - 8 1/4"	1,0 x 0,5 mm

Titanium



1/2

Diamond coated jaw



AB.589.15/21

Micro Ring Forceps
 Atraumatic Micro Forceps

AB.589.15	15,0 cm - 6"	1,0 x 0,5 mm
AB.589.18	18,0 cm - 7"	1,0 x 0,5 mm
AB.589.21	21,0 cm - 8 1/4"	1,0 x 0,5 mm

Steel



AB.590.15/21

Micro Ring Forceps
 Atraumatic Micro Forceps

AB.590.15	15,0 cm - 6"	1,0 x 0,5 mm
AB.590.18	18,0 cm - 7"	1,0 x 0,5 mm
AB.590.21	21,0 cm - 8 1/4"	1,0 x 0,5 mm

Titanium

AB



1/1

AB.596.01/06

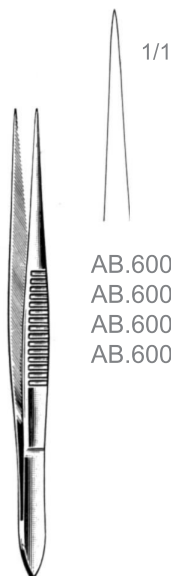
Gomel
Micro Forceps



AB.596.01
16,0 cm - 6 3/4"



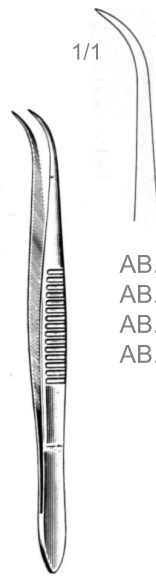
AB.596.06
16,0 cm - 6 3/4"



AB.600.09 9,0 cm - 3 1/2"
AB.600.10 10,5 cm - 4 1/4"
AB.600.11 11,5 cm - 4 1/2"
AB.600.12 12,5 cm - 5"

AB.600.09/12

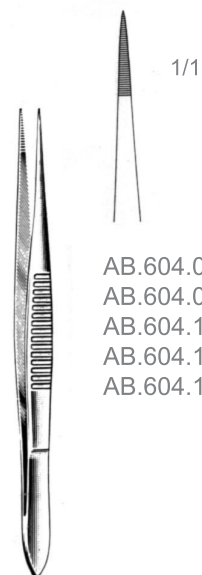
Forceps, fine patterns
without pin



AB.601.09 9,0 cm - 3 1/2"
AB.601.10 10,5 cm - 4 1/4"
AB.601.11 11,5 cm - 4 1/2"
AB.601.12 12,5 cm - 5"

AB.601.09/12

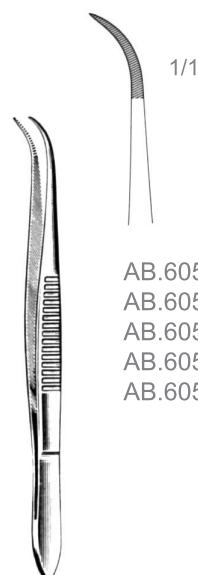
Forceps, fine patterns
without pin



AB.604.08 8,0 cm - 3 1/4"
AB.604.09 9,0 cm - 3 1/2"
AB.604.10 10,5 cm - 4 1/4"
AB.604.11 11,5 cm - 4 1/2"
AB.604.12 12,5 cm - 5"

AB.604.08/12

Forceps, fine patterns
without pin

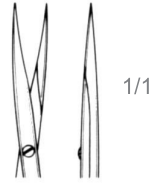


AB.605.08 8,0 cm - 3 1/4"
AB.605.09 9,0 cm - 3 1/2"
AB.605.10 10,5 cm - 4 1/4"
AB.605.11 11,5 cm - 4 1/2"
AB.605.12 12,5 cm - 5"

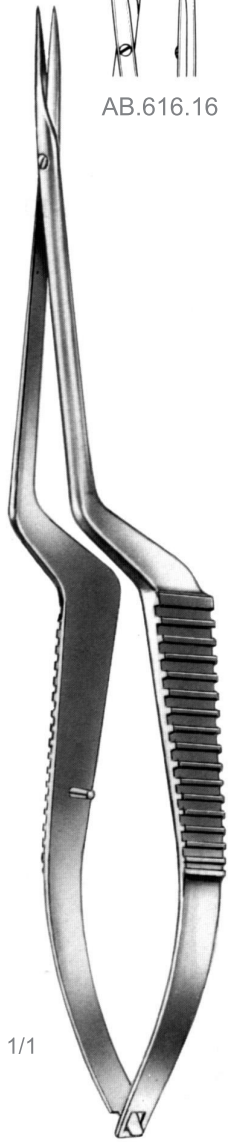
AB.605.08/12

Forceps, fine patterns
without pin

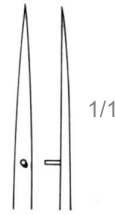
AB



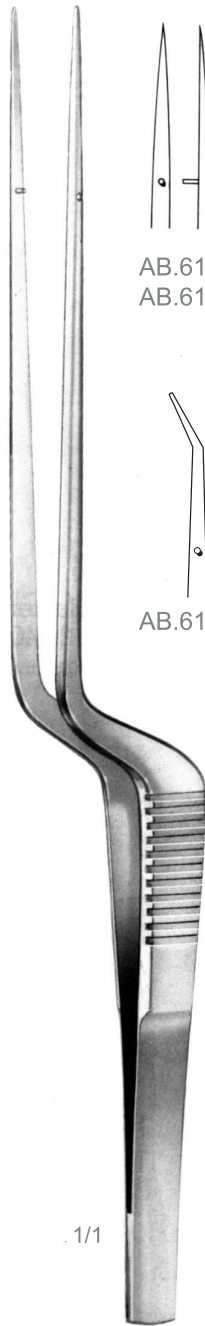
AB.616.16 15,5 cm - 6"



AB.616.16
Micro Forceps
Knotting forceps



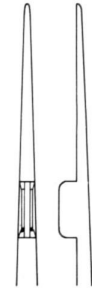
AB.619.01 18,5 cm - 7 1/4"
AB.619.02 18,5 cm - 7 1/4"



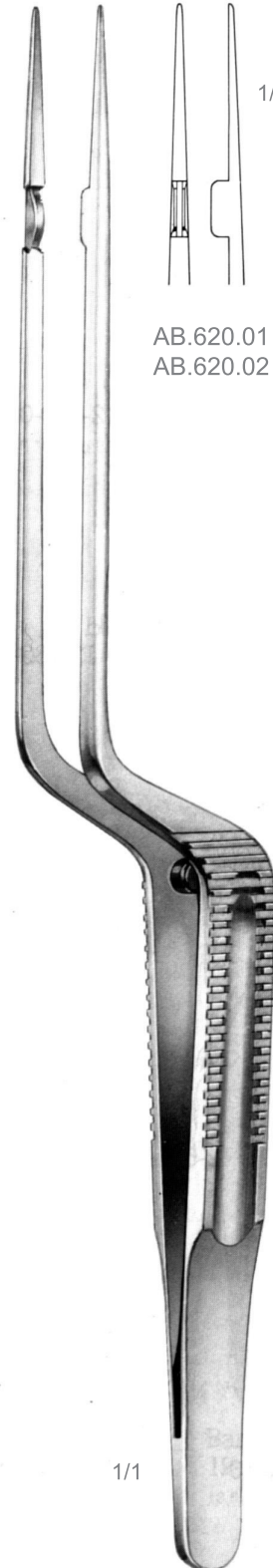
AB.619.01/02
Micro Forceps



AB.619.03 18,5 cm - 7 1/4"



AB.620.01 22,5 cm - 9"
AB.620.02 22,5 cm - 9"



AB.620.01/02
Micro Forceps

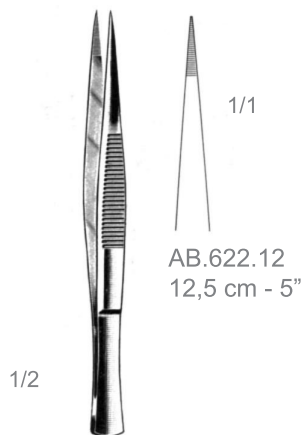
Splitter Forceps, Cilia Forceps

SPLITTER-PINZETTEN, CILIENPINZETTEN
 PINZAS PARA ESPINAS, PINZAS DEPILATORIAS

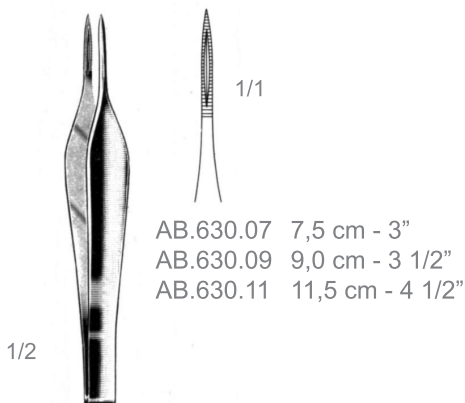
Kolpen

GENERAL INSTRUMENTS
 ALLGEMEINES INSTRUMENTARIUM
 INSTRUMENTAL GENERAL

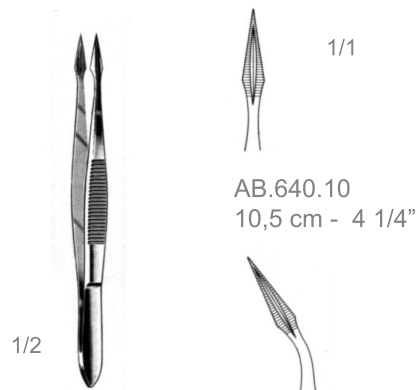
AB



AB.622.12
 Splitter Forceps,
 Cilia Forceps



AB.630.07/11
 Feilchenfeld
 Splitter Forceps,
 Cilia Forceps



AB.640.10
AB.641.10
 Hunter
 Splitter Forceps,
 Cilia Forceps

AB.641.10
 10,5 cm - 4 1/4"



AB.650.10
AB.651.10
 Walter-Carmalt
 Splitter Forceps,
 Cilia Forceps

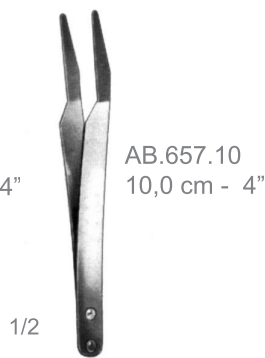
AB.650.10
 10,5 cm - 4 1/4"

AB.651.10
 10,5 cm - 4 1/4"



AB.654.12
 Splitter Forceps,
 Cilia Forceps

AB.654.12
 12,0 cm - 4 3/4"



AB.657.10
 Splitter Forceps,
 Cilia Forceps

AB.657.10
 10,0 cm - 4"



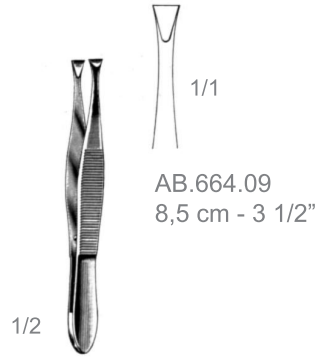
AB.659.10
 Splitter Forceps,
 Cilia Forceps

AB.659.10
 10,0 cm - 4"

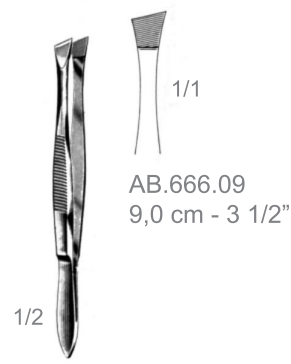
AB



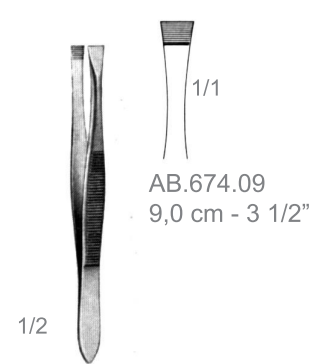
AB.661.09
Shaaf
Cilia Forceps



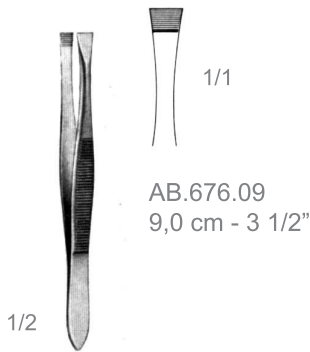
AB.664.08
Littauer
Cilia Forceps



AB.666.09
Cilia Forceps



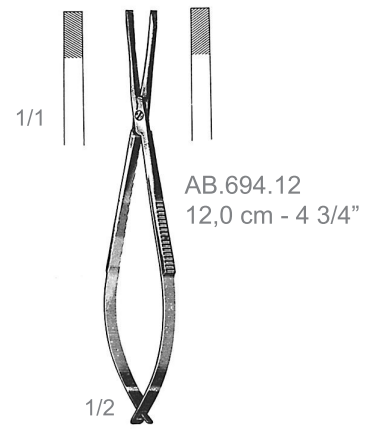
AB.674.09
Douglas
Cilia Forceps



AB.676.09
Douglas
Cilia Forceps



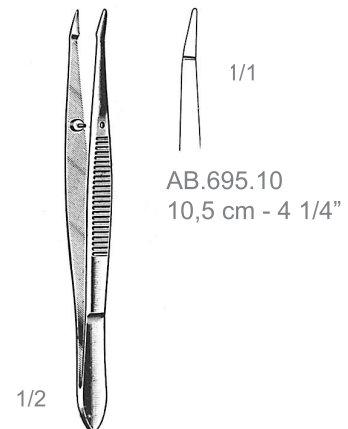
AB.680.09
Beer
Cilia Forceps



AB.694.12
Henry
Cilia Forceps



AB.691.09
Gradle
Cilia Forceps



AB.695.10
Barraquer
Cilia Forceps

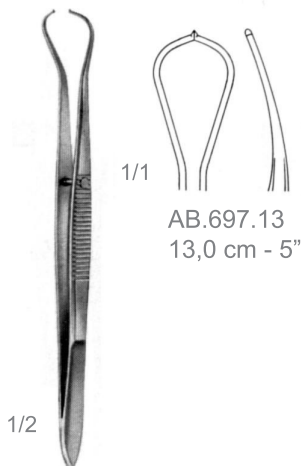
Splinter Forceps

SPLITTERZANGEN - PINZAS PARA ESPINAS

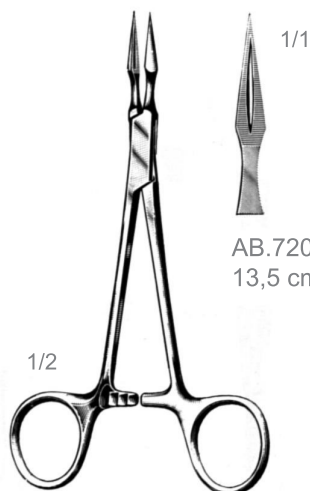
Kolpen

GENERAL INSTRUMENTS
ALLGEMEINES INSTRUMENTARIUM
INSTRUMENTAL GENERAL

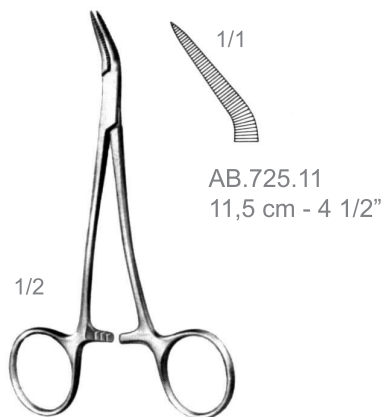
AB



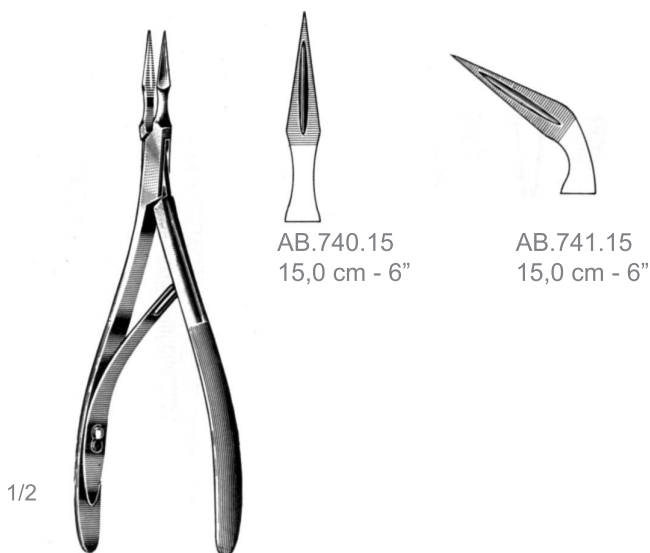
AB.697.13
Droeber
Splinter Forceps



AB.720.13
AB.721.13
Stieglitz
Splinter Forceps



AB.725.11
Peet
Splinter Forceps



AB.740.15
AB.741.15
Ralk
Splinter Forceps